

Figure 1

1. INTRODUCTION

Patch Panel 1479710-1 is used to connect and organize telephone distribution and data computer networking lines for residential applications. The patch panel is designed to be mounted onto 14 × 14 Residential Structured Cabling System (SCS) Enclosure 1375300-1 (holds two patch panels) or 14 × 36 SCS Enclosure 1375216-1 (holds four patch panels).

NOTE

Dimensions in this instruction sheet are in metric units [with U.S. customary units in brackets]. Figures are not drawn to scale.

To obtain information on NETCONNECT products, call PRODUCT INFO at the number at the bottom of this page, or visit the NETCONNECT website at www.ampnetconnect.com.

2. DESCRIPTION

The patch panel contains three 6-port Category 5e patch modules. There are six RJ-45 modular ports at the front of each patch module and six 110-connect IDC blocks at the back of each patch module. Four universal wiring labels and four 10-32 pan head mounting screws are included.

Impact Tool 1583608-1 (or equivalent) is required to terminate the cable to the blocks.

3. INSTALLATION

Installation Must Be Performed by Qualified Installer

— In addition to these instructions, the installation procedure must be in accordance with the

requirements of the ANSI TIA/EIA-570 Residential Telecommunications Infrastructure Standard

— Only use devices Listed by Underwriters Laboratories Inc. (UL) inside the SCS enclosure

— Maintain a minimum cable bend radius of four times the diameter of the cable

3.1. Mount the Patch Panel

1. Remove the patch modules from the patch panel by pressing the latches inward until the latches disengage from the opening. Refer to Figure 2.

2. Using two of the four mounting screws, mount the patch panel onto the bottom bracket of the SCS enclosure. Refer to Figure 3. If a starter panel is being used, subsequent patch panels should be installed *below* the starter panel.

Removing Patch Modules from Patch Panel

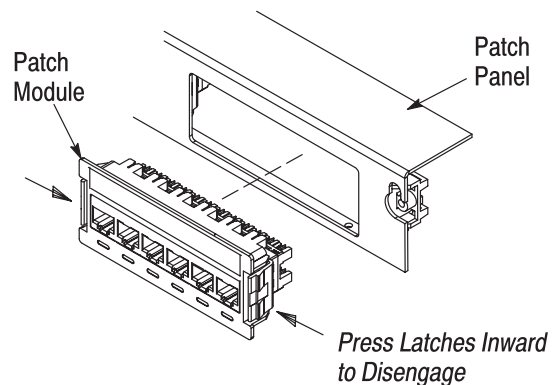


Figure 2

Mounting Patch Panel and Routing Cable

2-Patch Panel SCS Enclosure Shown

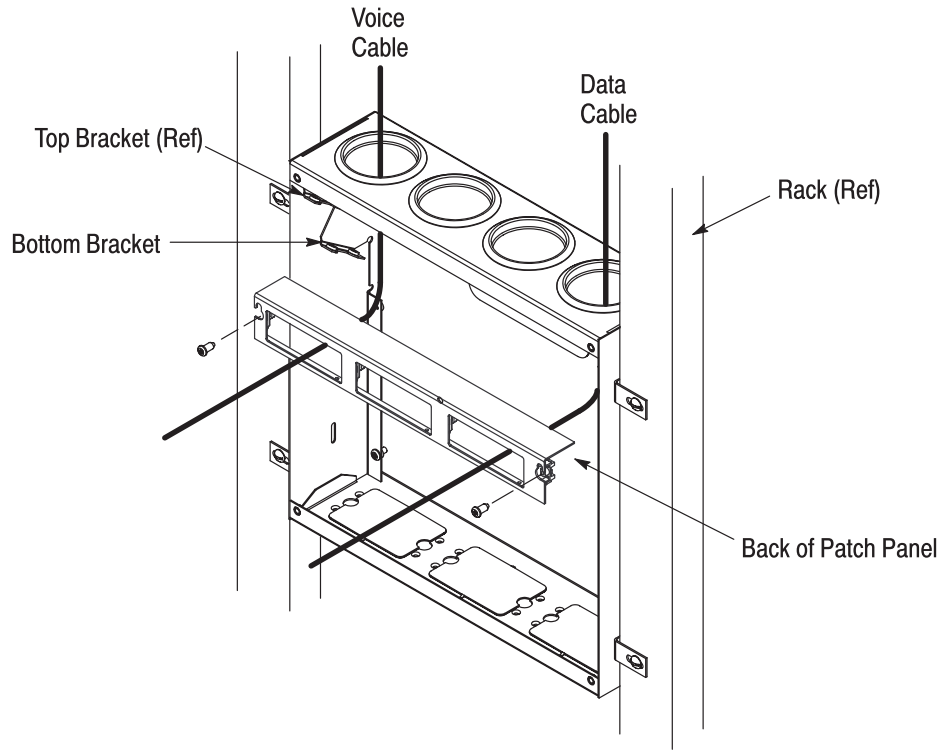


Figure 3

NOTE

Make sure that the SCS enclosure has been installed according to 408-8556 (2-patch panel enclosure) or 408-8557 (4-patch panel enclosure).

3.2. Route the Cable

1. Separate the voice (telephone distribution) and data (computer networking) cables, and insert them through the cable hole plugs of the SCS enclosure. It is recommended that the voice cable be located on the left and the data cable on the right of the SCS enclosure. See Figure 3. Allow a minimum of 46 cm [18 in.] of excess cable inside the SCS enclosure.

NOTE

Wiring must comply with the requirements for separation of circuits per National Electric Code (NEC) NFPA 70.

2. Feed the cables through the back of the openings in the patch panel.
3. Label each cable to identify the room, wall outlet, or wall jack.

3.3. Termination

1. Trim the cable to length. Strip the cable to the dimension given in Figure 4.

Cable Strip Length

Note: Not to Scale



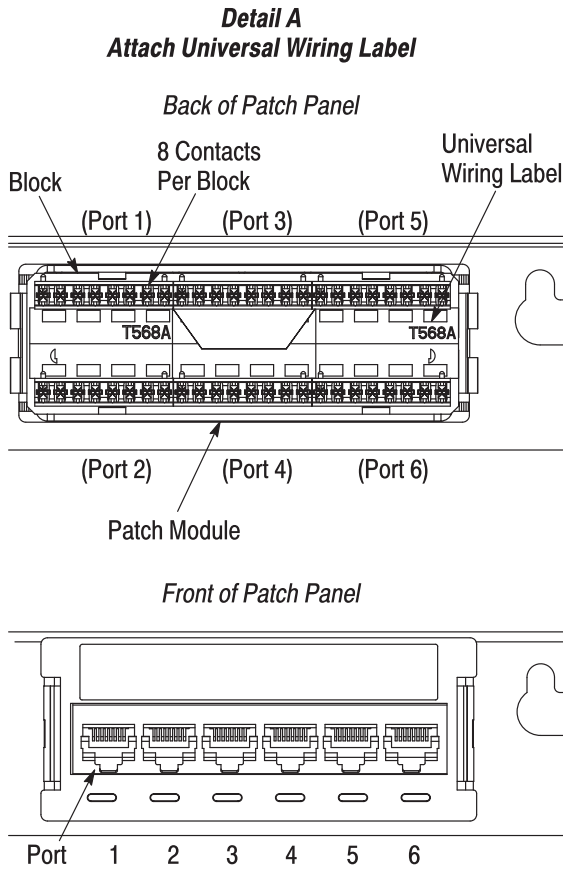
Figure 4

2. At the back of the patch panel, attach a universal wiring label, with the T568A color code side out, to each patch module. Refer to Figure 5, Detail A.
3. Arrange the wires according to the T568A color code, and terminate the wires to the blocks according to the instructions included with the tool. Keep wire twisted to a maximum of 13 mm [.50 in.] from the termination. Refer to Figure 5, Detail B.
4. Install the patch modules into the openings in the patch panel, feeding excess cable into the wall cavity.

CAUTION

Carefully position the cables so that they do not cause stress on the terminations.

5. Label each port to identify the cable.



Detail B
Terminate Wires to Block

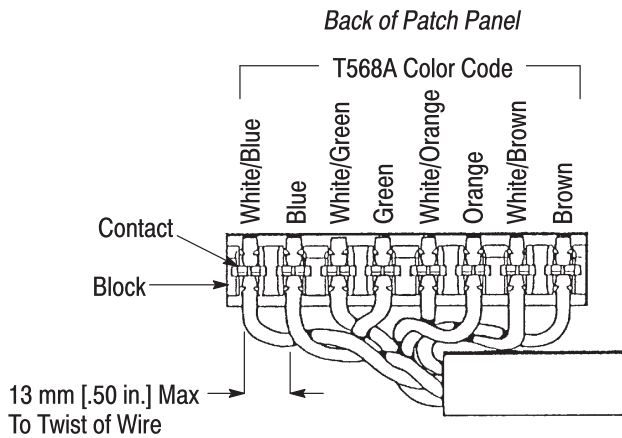


Figure 5

4. ORDERING INFORMATION

Order patch panels through your representative, or call 1-800-526-5142, or send a facsimile of your purchase order to 717-986-7605, or write to:

CUSTOMER SERVICE (038-035)
 TYCO ELECTRONICS CORPORATION
 PO BOX 3608
 HARRISBURG PA 17105-3608

5. COMPONENT LISTING

For Underwriters Laboratories Inc. (UL) Inspection Use Only

NOTE

The components listed in Figure 6 are NOT AVAILABLE for purchase.

COMPONENT PART NUMBER	DESCRIPTION	QTY PER PATCH PANEL
1479609-1	Front Loadable 18-Port Panel	1
406337-1	Module PC Board Assembly	3
1479187-1	Front Loadable PC Board Interface Housing	3
406746-2	10-32 Pan Head Screws	4
406905-1	110Connect Identification Label Sheet	1

Figure 6

6. REVISION SUMMARY

Per EC 0990-1700-04:

- Initial release of instruction sheet